

DL-BKIT4U-S-M QUADRUPLE PASS DELAY LINE KIT INSTRUCTION SHEET

Instruction Sheet

KIT CONTENTS:

Material Number	Material Description	Quantity
M9454A	Metric Kit of Screws	1
10D620ER.2	Economy Silver Mirror 1" Dia	4
10E20ER.2	Elliptical Silver Mirror 1"	2
U100-A2K	Ultima Clear Edge Mirror Mount	2
9848-KT	Delay Line Mirror Mount Kit	2
UBBR2.5-5S	Hollow Retroreflector Silver	2
ID-0.5	Iris Diaphragm 0.5" Dia	1
M-360-90	90 Degree Angle Bracket	1
M-PS-1E	Pedestal Post Extension	2
M-PS-2E	Pedestal Post Extension	3
M-PS-0.5Z	Magnetic Pedestal, M4	5
MH-2P	Fixed Position Lens Mount	1
PS-0.125	Optical Pedestal Spacer, M4	1
PS-0.25	Optical Pedestal Spacer, M4	1
PS-F	Slotted Clamping Fort	5

Motion stage and controller are sold separately.

Purpose:

The delay line kit enables precise variation of the optical path length. This is a quadruple pass delay line kit for the visible wavelengths.

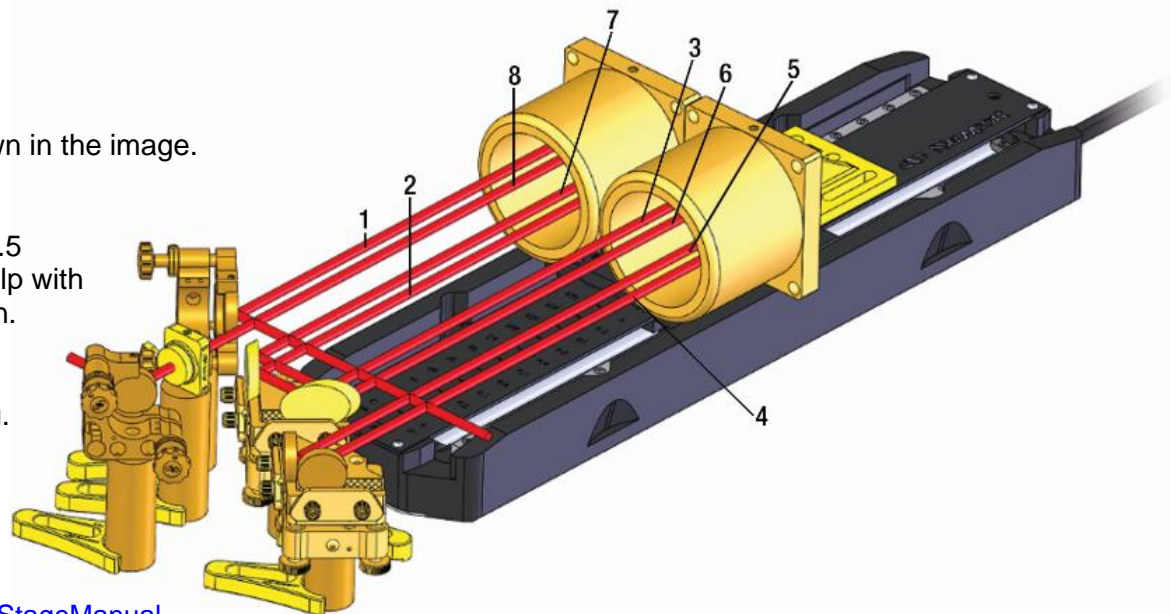
Instructions:

Assemble products as shown in the image. Beam path is labeled.

Use the iris diaphragm ID-0.5 installed in the MH-2P to help with beam height standardization. Optional additional iris diaphragms will help if the alignment is too challenging.

Please refer to detailed instructions in "DL Stage User's Manual", which can be found on line:

<https://www.newport.com/DLStageManual>



Please use caution while handling all optic lenses

Contact customer service if any parts are missing or damaged.

